

cieffe



Produzione, commercio e ingrosso
materiale elettrico ed elettronico

CATALOGO PROFILI LED SILICONE 04 **2023**

VS LIGHTING
SOLUTIONS

STEAB
COMPONENTS AND SMART SOLUTIONS



Newlab
Electronic Solutions

BMC
GROUP

ALVIT



SALCAVI
TECHNIC
CAVI SPECIALI

ROPLAST
CAVI CON SPINA



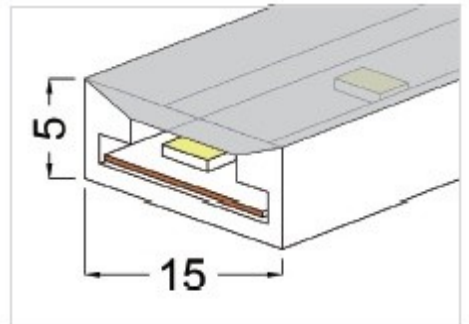
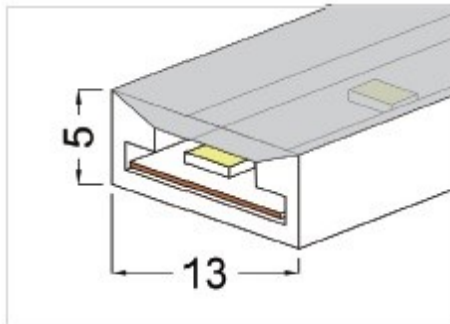
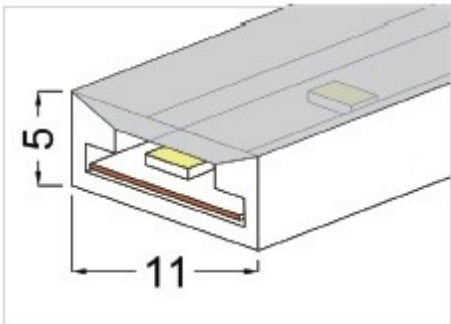
cieffeluce.com
Viale Pratese, 82
50019 Sesto Fiorentino
Firenze (Italy)
Tel. 0039 (0)55 4200042 r.a.
Fax 0039 (0)55 4201011
Email info@cieffeluce.com
CF e P.IVA 04439270481



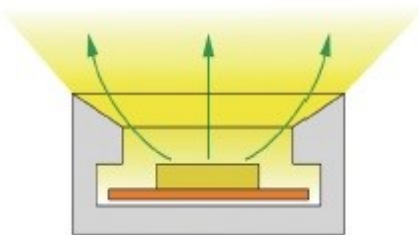
SV1

SV1/A

SV1/B



PCB Width(mm)	8	10	12
Weight(g/m)	45	55	60
Section size(mm)	5*11	5*13	5*15
Beam angle	120°		
IP Grade	IP67		



Lighting Dairction: Top Lighting



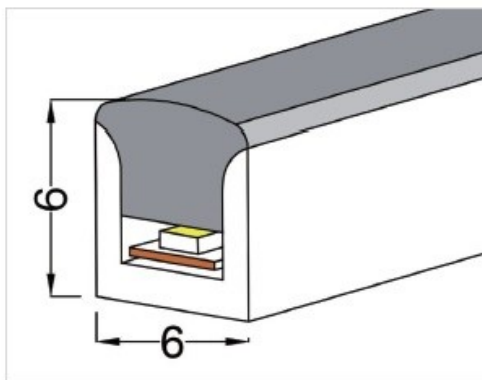
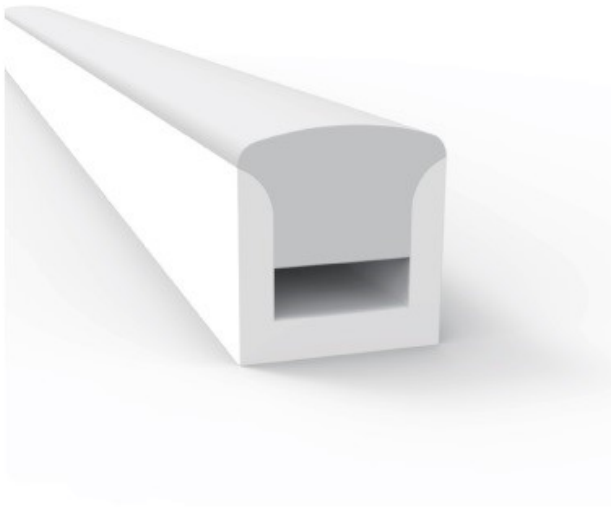
End cap with hole

End cap no hole

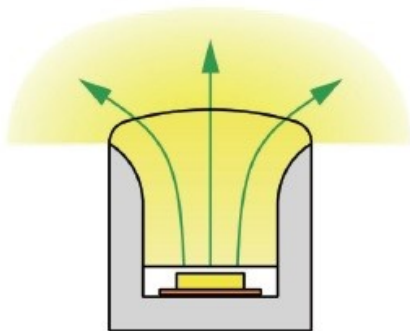
Plastic clip

Plastic clip

SV2



PCB Width(mm)	3
Weight(g/m)	39
Section size(mm)	6*6
Beam angle	180°



Lighting Dairction: Top Lighting



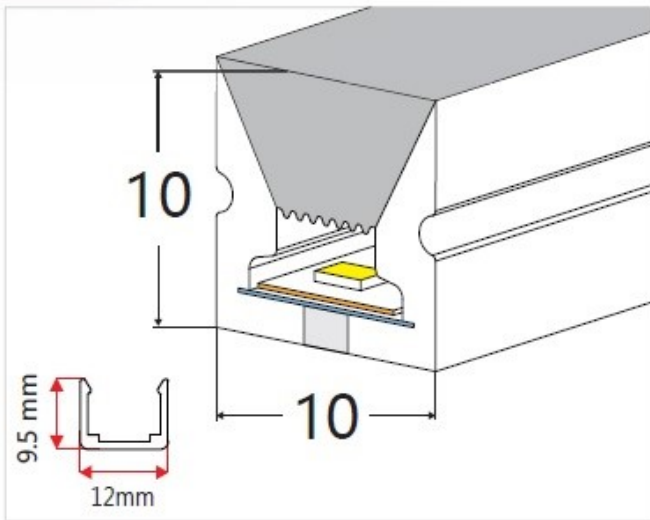
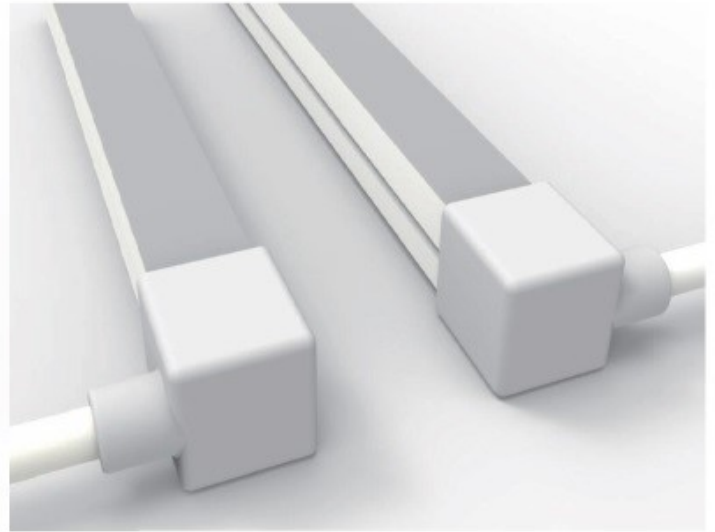
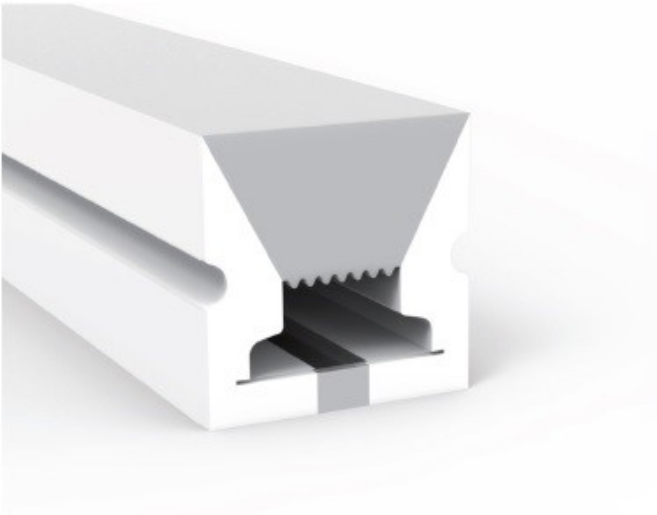
End cap with hole



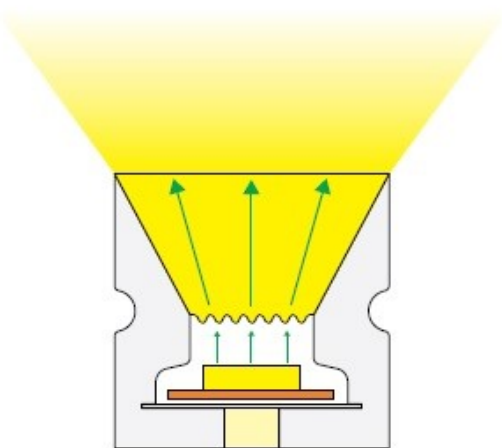
End cap no hole



3M Tape



PCB Width(mm)	6
Weight(g/m)	110
Section size(mm)	10*10
Beam angle	120°



Lighting Dairrection: Top Lighting

Cutting mark:Yes



End cap with hole

End cap no hole

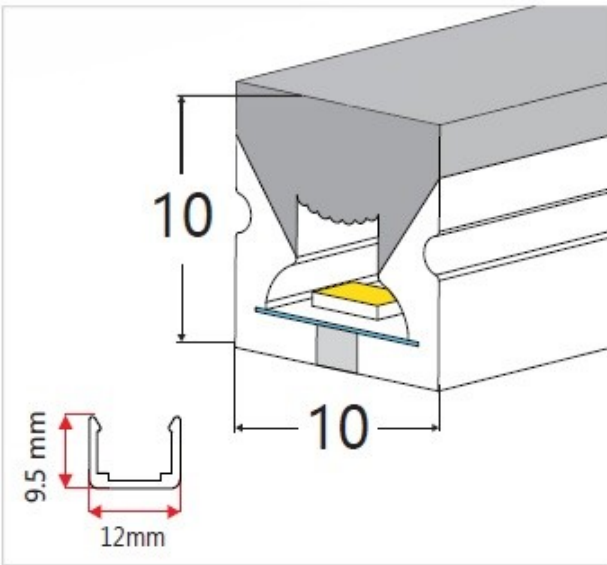
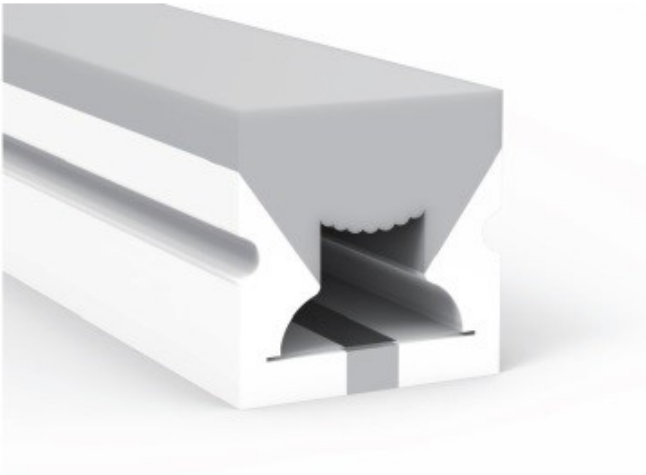


Aluminum Clip

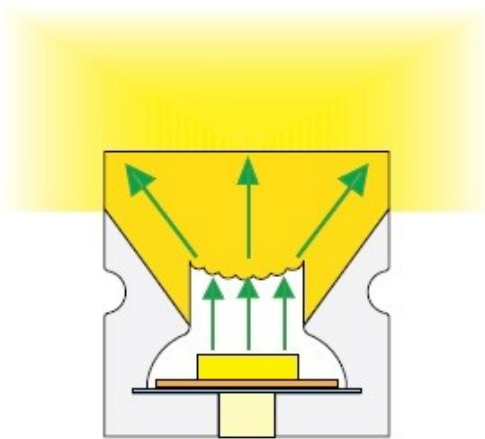


Aluminum Profile

Flexible Profile



PCB Width(mm)	6
Weight(g/m)	104
Section size(mm)	10*10
Beam angle	180°



Lighting Direction: 3 sides Top Lighting

Cutting Mark Yes



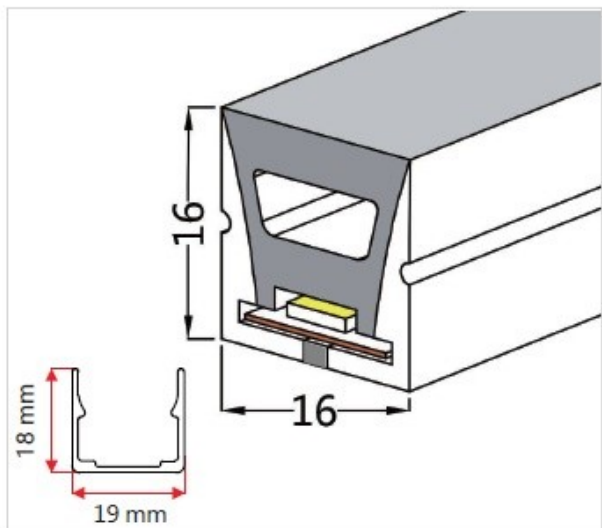
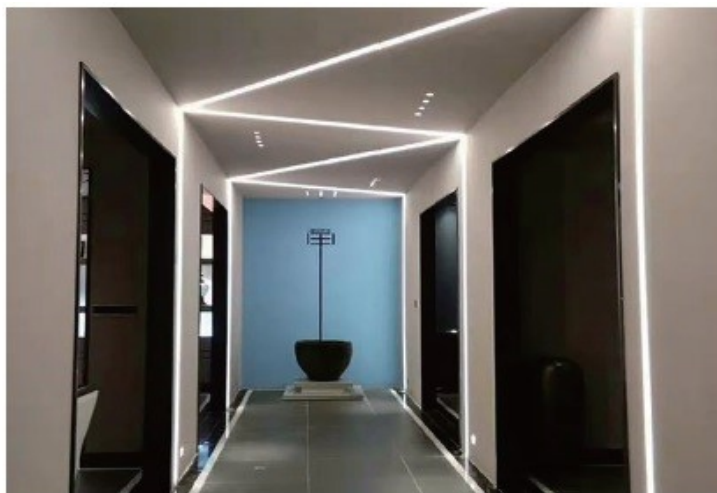
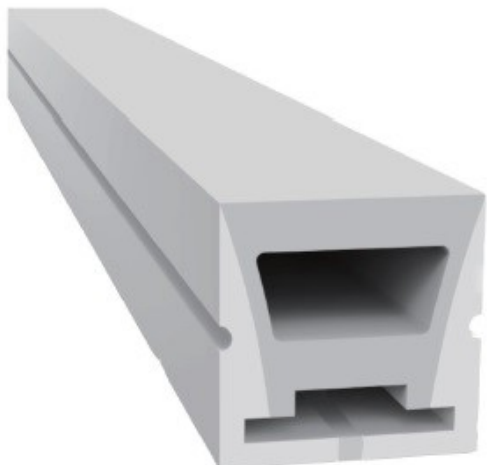
End cap with hole

End cap no hole

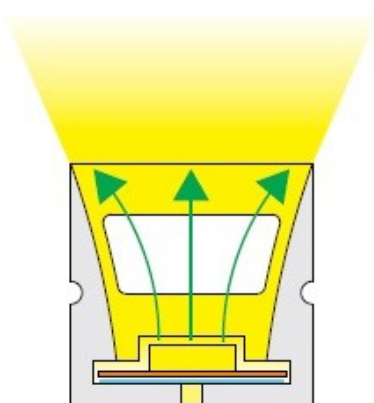
Aluminum Clip

Aluminum Profile

Flexible Profile



PCB Width(mm)	10/12
Weight(g/m)	224
Section size(mm)	16*16
Beam angle	120°



Lighting Dairction: Top Lighting

Cutting mark:Yes



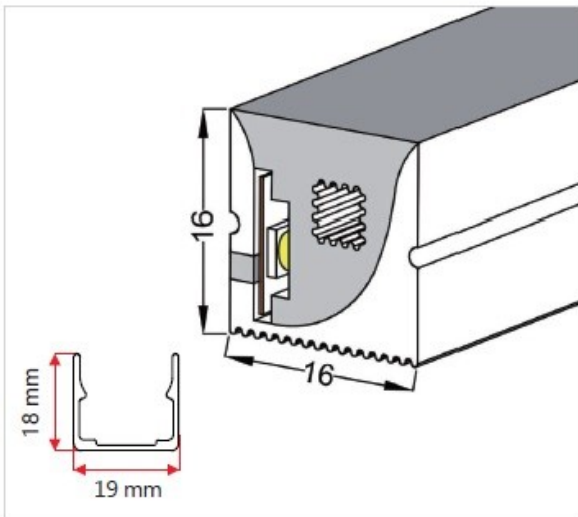
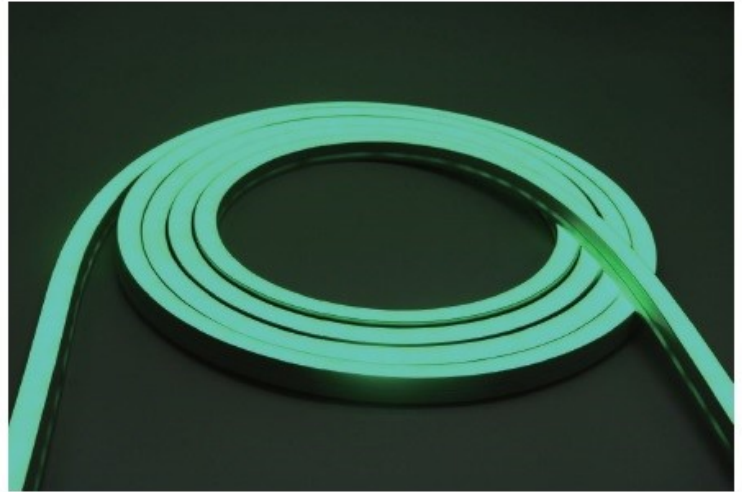
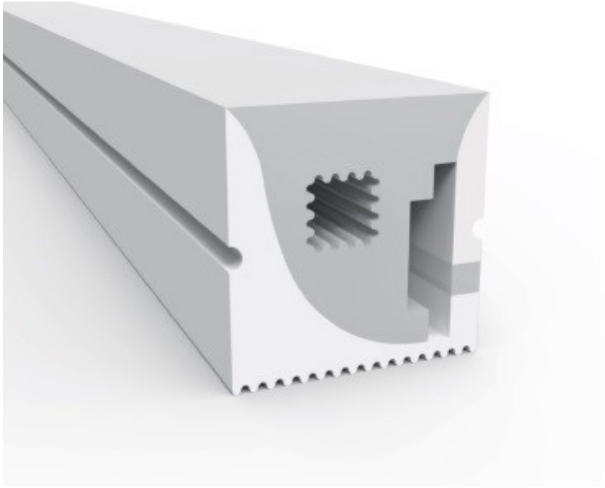
End cap with hole

End cap no hole

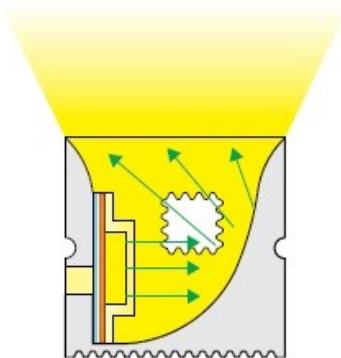
Aluminum Clip

Aluminum Profile

Flexible Profile



PCB Width(mm)	10
Weight(g/m)	265
Section size(mm)	16*16
Beam angle	120°



Lighting Direction: Side Lighting

Cutting mark:Yes



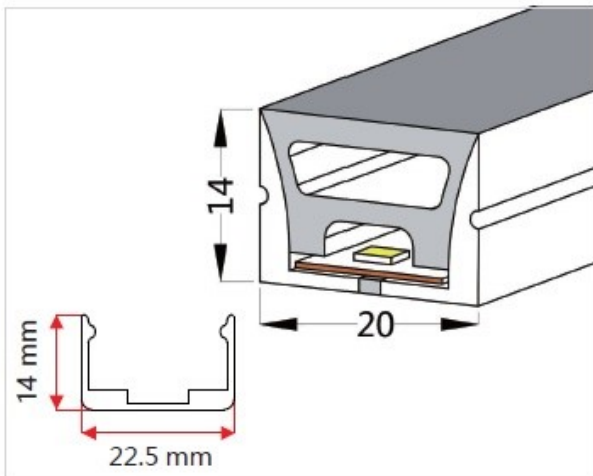
End cap with hole

End cap no hole

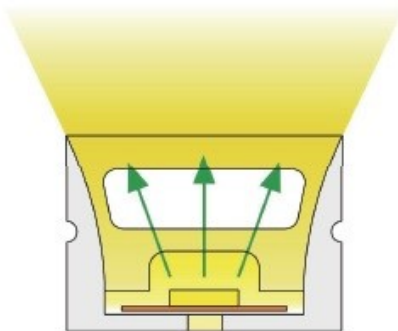
Aluminum Clip

Aluminum Profile

Flexible Profile

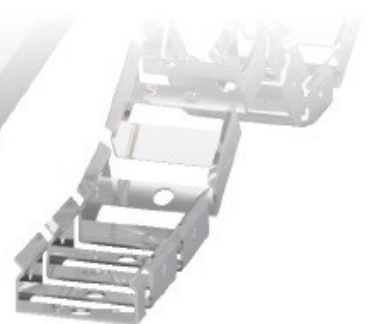


PCB Width(mm)	12
Weight(g/m)	249
Section size(mm)	20*14
Beam angle	120°



Lighting Dairrection: Top Lighting

Cutting mark:Yes



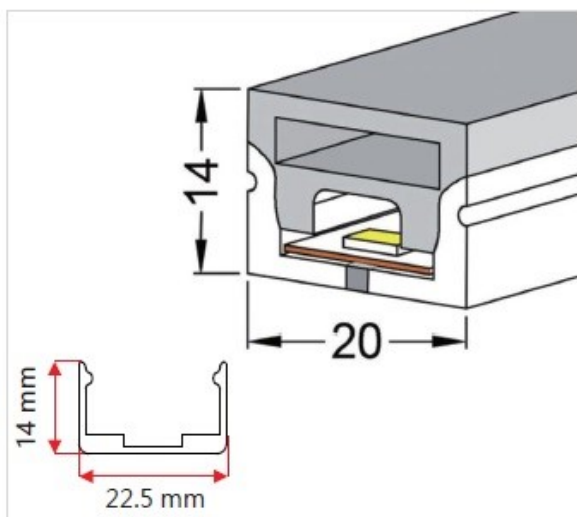
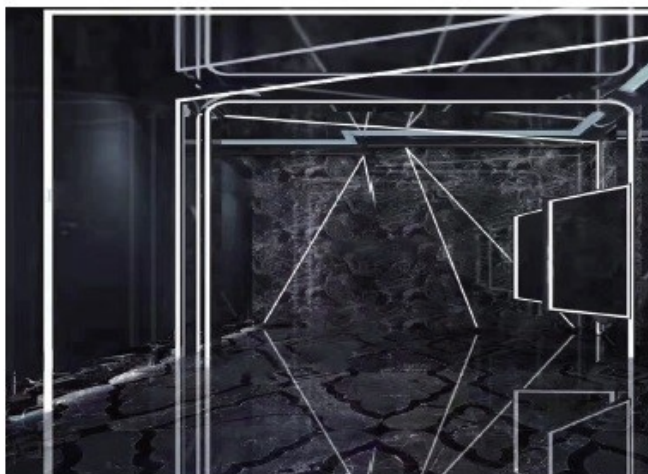
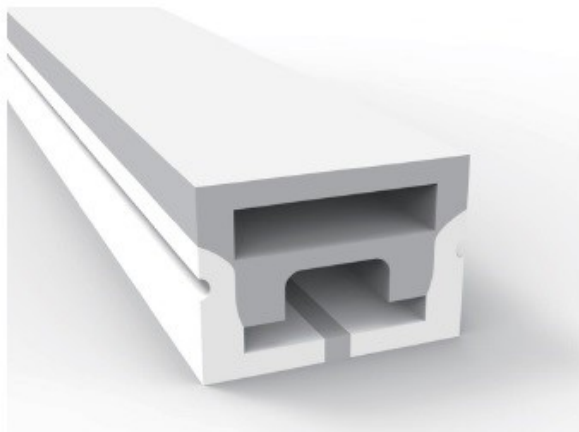
End cap with hole

End cap no hole

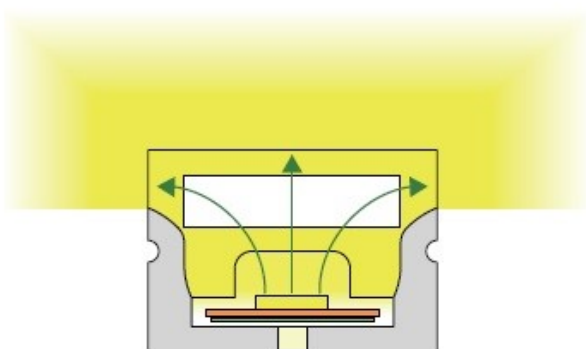
Aluminum Clip

Aluminum Profile

Flexible Profile



PCB Width(mm)	12
Weight(g/m)	248
Section size(mm)	20*14
Beam angle	180°



Lighting Direction: 3 sides Top Lighting

Cutting Mark Yes



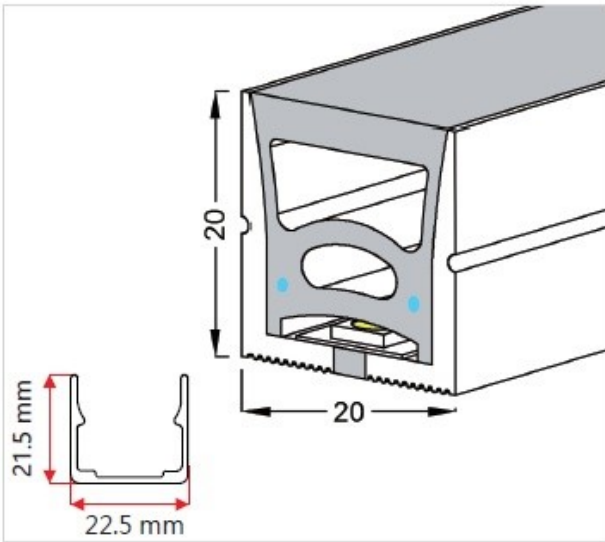
End cap with hole

End cap no hole

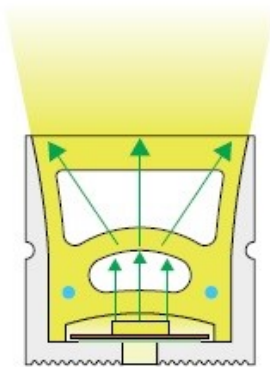
Aluminum Clip

Aluminum Profile

Flexible Profile



PCB Width(mm)	10/12
Weight(g/m)	336
Section size(mm)	20*20
Beam angle	120°



Lighting Dairction: Top Lighting

Cutting mark:Yes

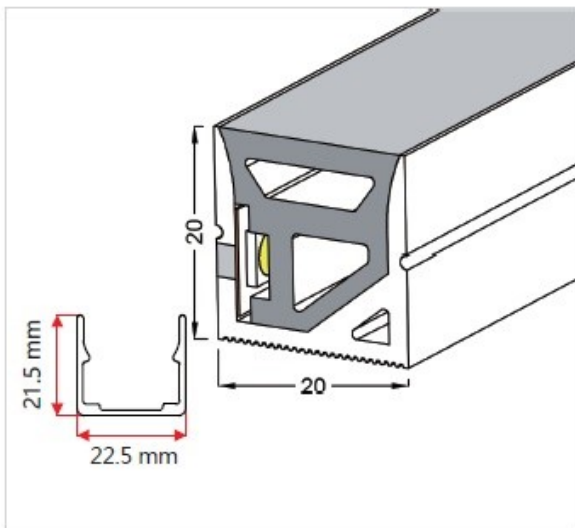
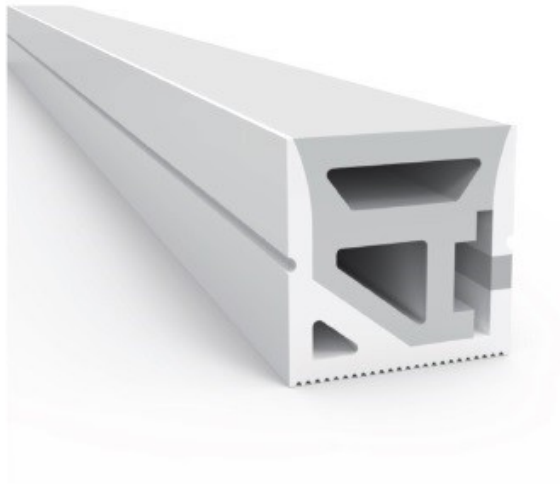


End cap with hole

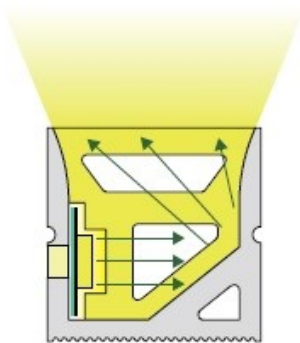
End cap no hole

Aluminum Clip

Aluminum Profile



PCB Width(mm)	10
Weight(g/m)	344
Section size(mm)	20*20
Beam angle	120°



Lighting Direction: Side Lighting

Cutting mark:Yes

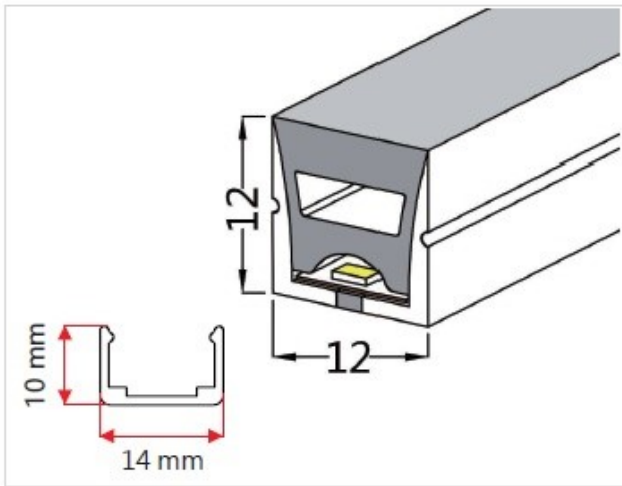
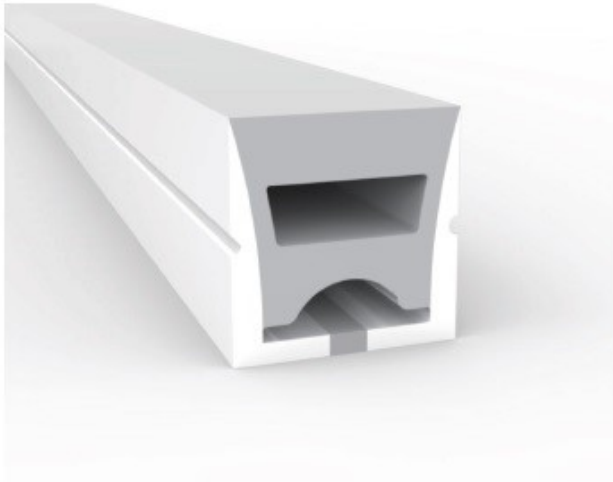


End cap with hole

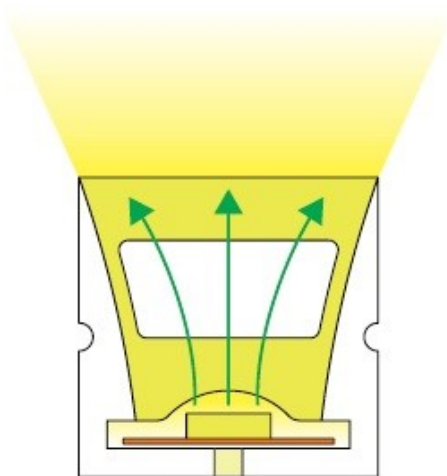
End cap no hole

Aluminum Clip

Aluminum Profile



PCB Width(mm)	8
Weight(g/m)	125
Section size(mm)	12*12
Beam angle	120°



Lighting Direction: Top Lighting

Cutting mark: Yes



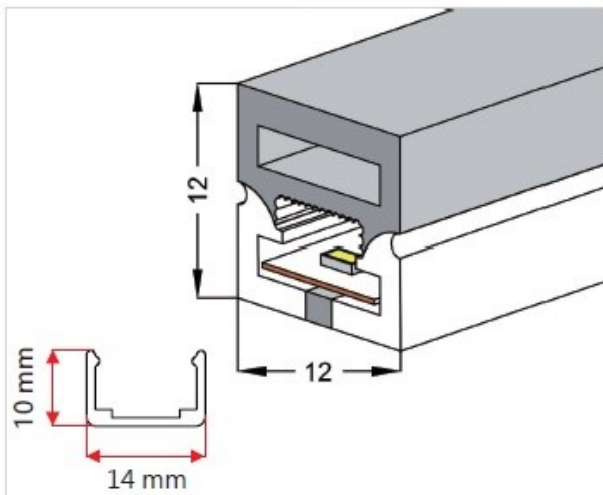
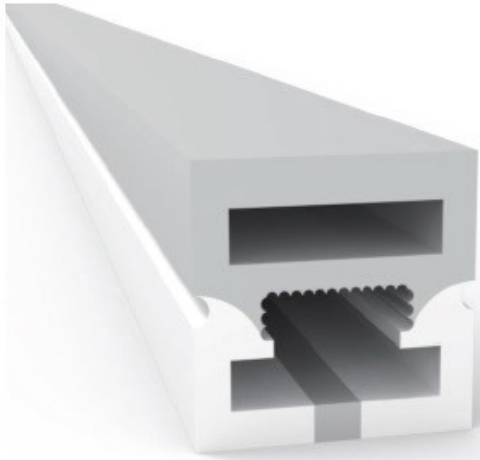
End cap with hole

End cap no hole

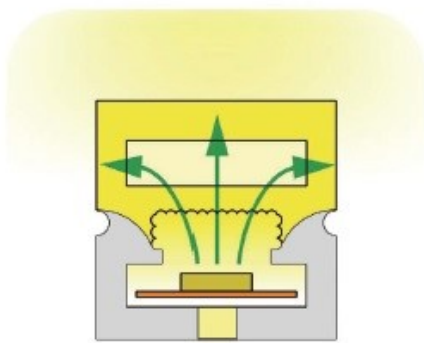
Aluminum Clip

Aluminum Profile

Flexible Profile



PCB Width(mm)	8
Weight(g/m)	136
Section size(mm)	12*12
Beam angle	180°



Lighting Direction: 3 sides Top Light'

剪刀口 Cutting Mark Yes



End cap with hole

End cap no hole

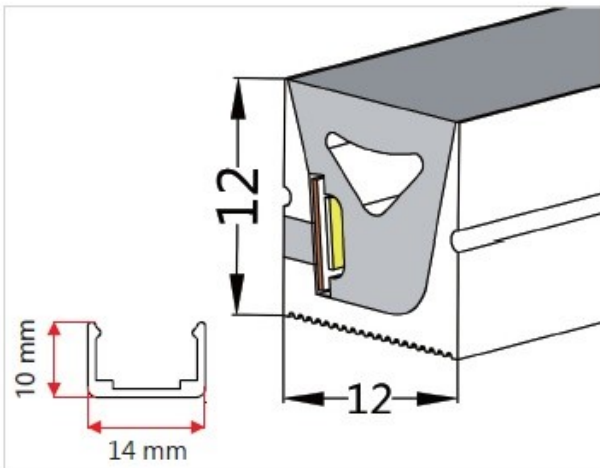
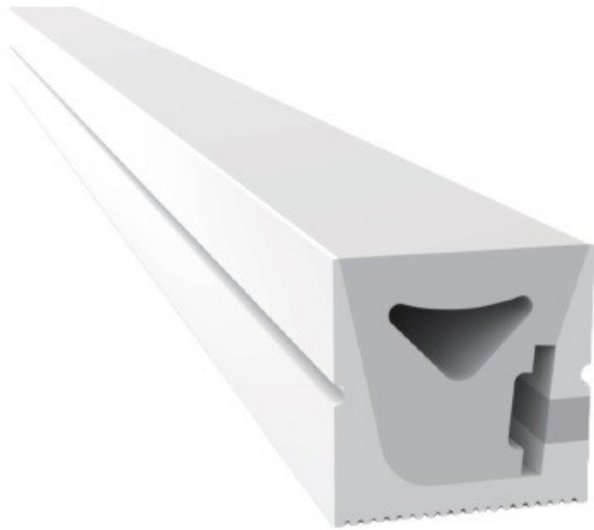


Aluminum Clip

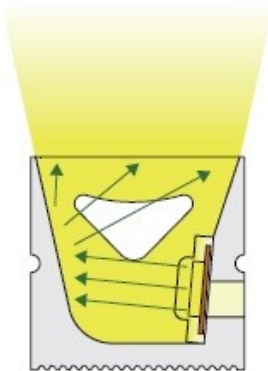


Aluminum Profile

Flexible Profile



PCB Width(mm)	5
Weight(g/m)	150
Section size(mm)	12*12
Beam angle	120°



Lighting Direction: Side Lighting

Cutting mark: Yes



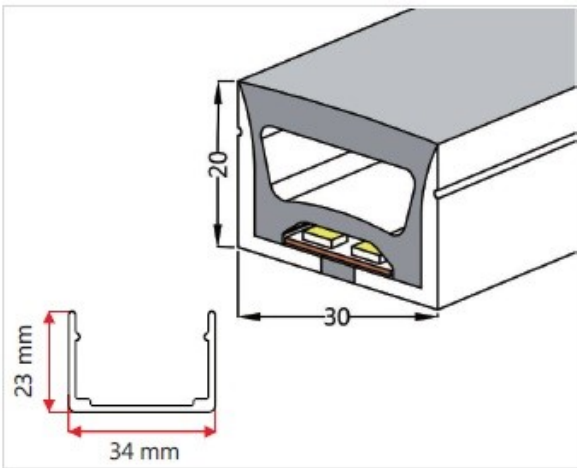
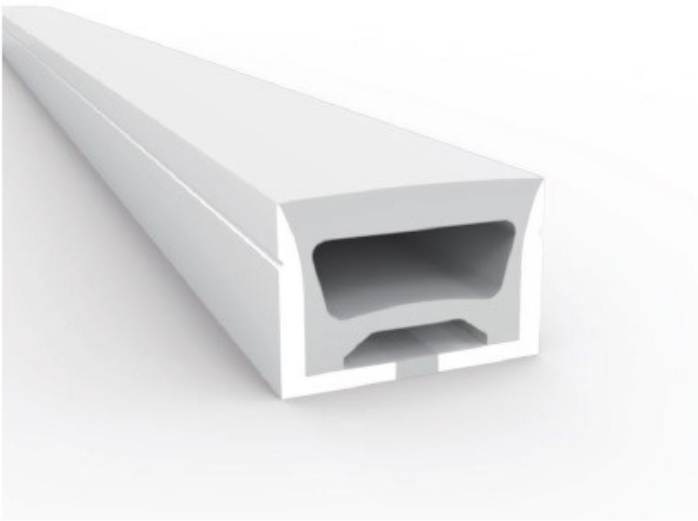
End cap with hole

End cap no hole

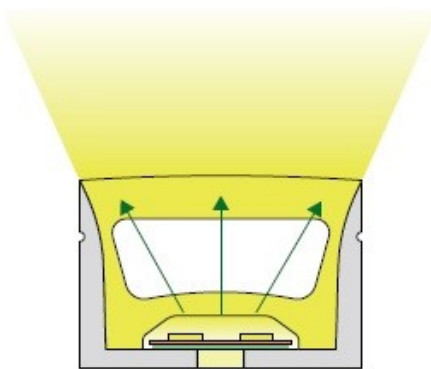
Aluminum Clip

Aluminum Profile

Flexible Profile



PCB Width(mm)	15
Weight(g/m)	482
Section size(mm)	30*20
Beam angle	120°



Lighting Dairction: Top Lighting

Cutting mark:Yes

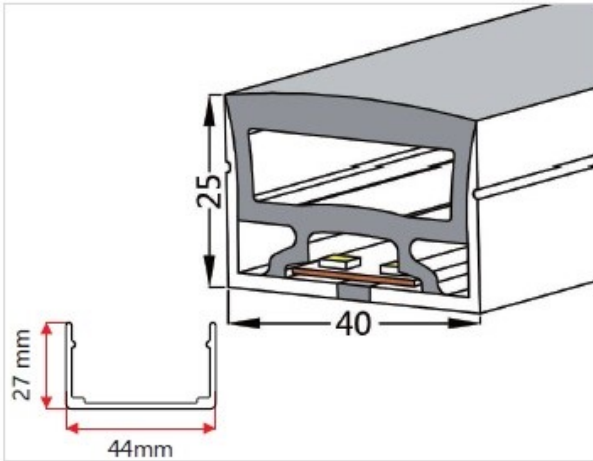
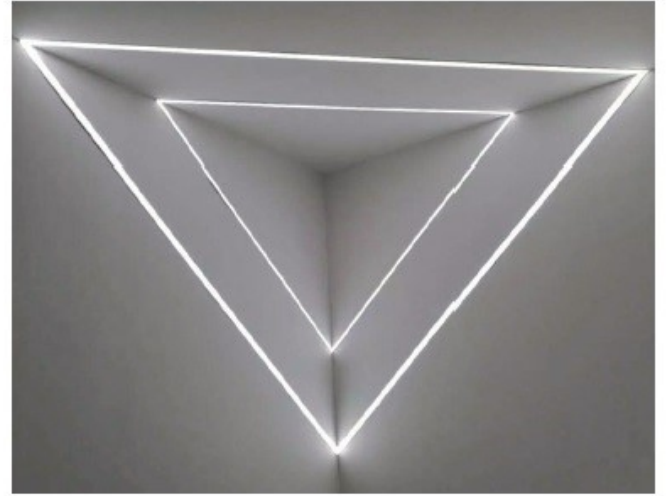


End cap with hole

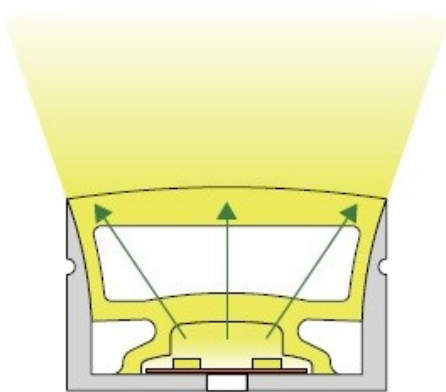
End cap no hole

Aluminum Clip

Aluminum Profile



PCB Width(mm)	20
Weight(g/m)	611
Section size(mm)	40*25
Beam angle	120°



Lighting Dairction: Top Lighting

Cutting mark:Yes



End cap with hole



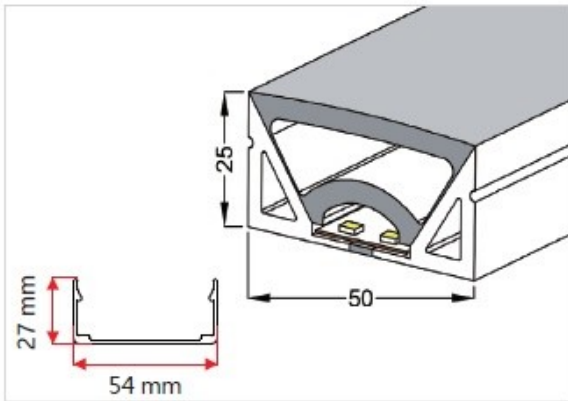
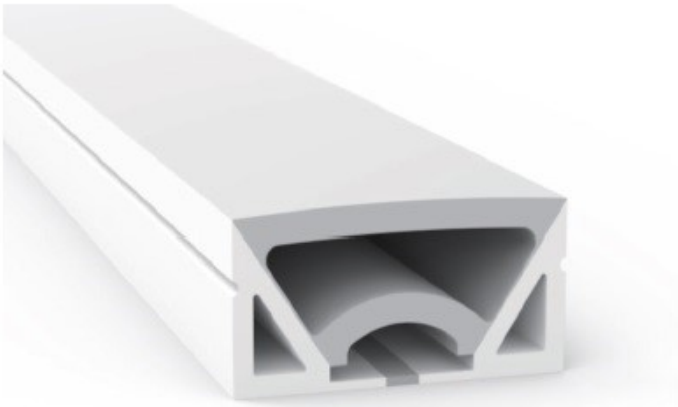
End cap no hole



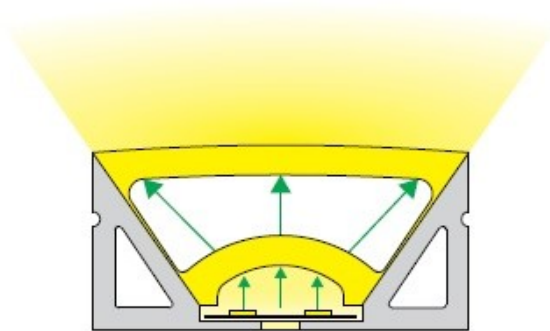
Aluminum Clip



Aluminum Profile



PCB Width(mm)	20
Weight(g/m)	812
Section size(mm)	50*25
Beam angle	120°



Lighting Dairction: Top Lighting

Cutting mark:Yes

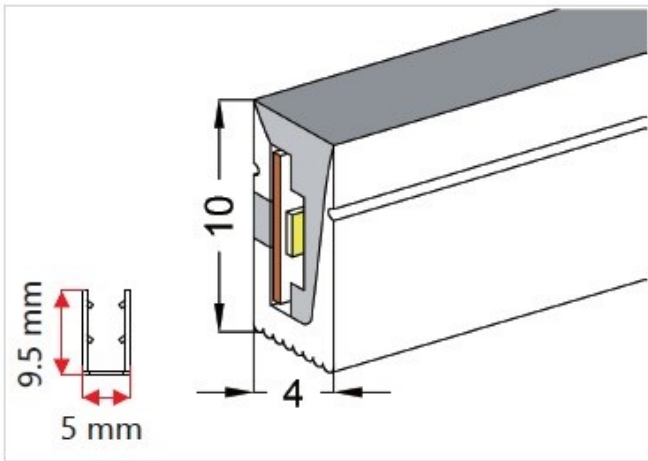
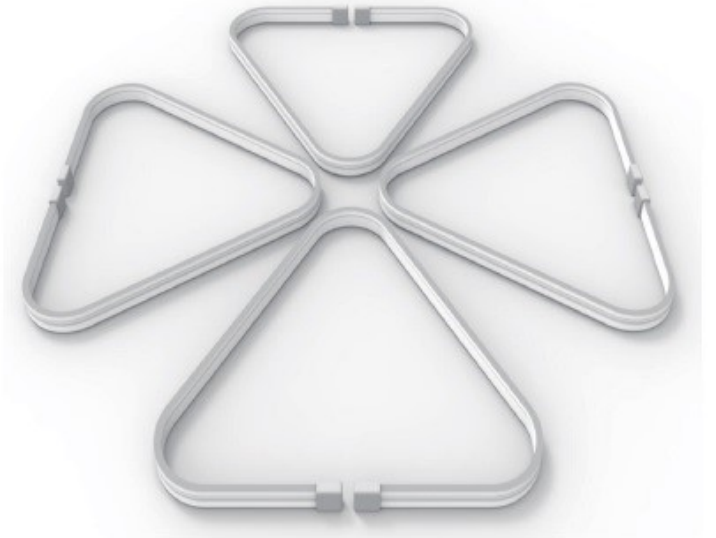
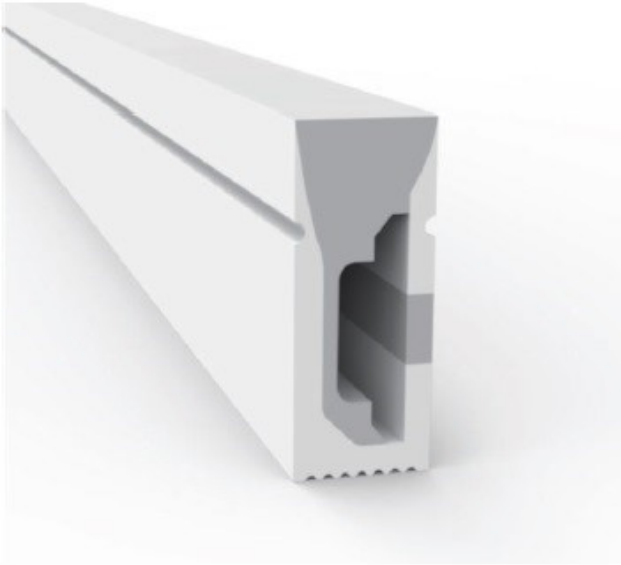


End cap with hole

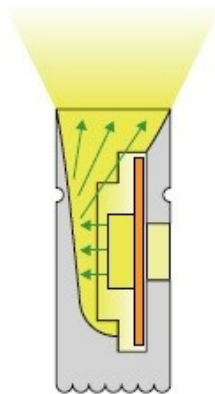
End cap no hole

Aluminum Clip

Aluminum Profile



PCB Width(mm)	5/6
Weight(g/m)	41/43
Section size(mm)	4*10
Beam angle	120°



Lighting Direction: Side Lighting

Cutting mark:Yes



End cap with hole



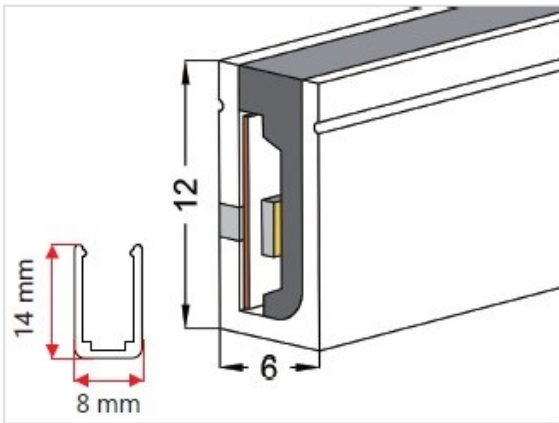
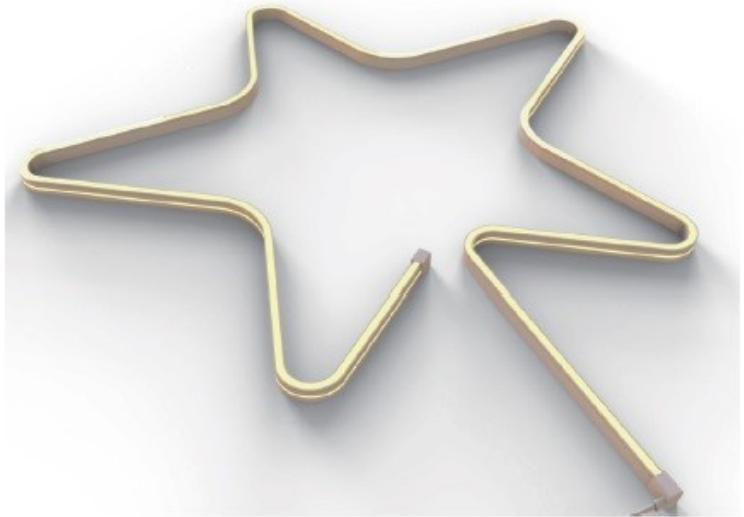
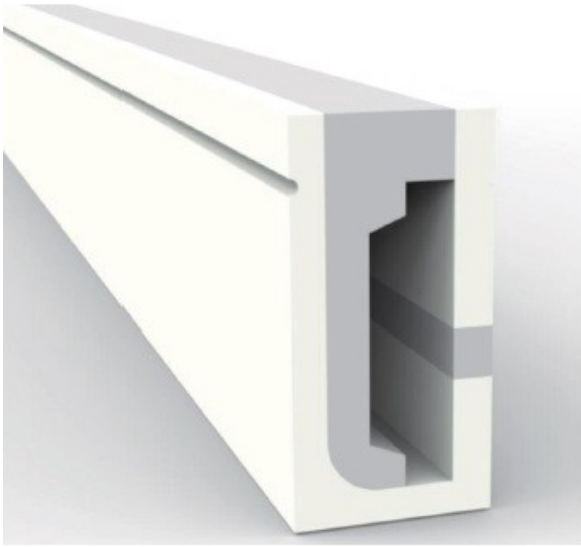
End cap no hole



Aluminum Clip



Flexible Profile

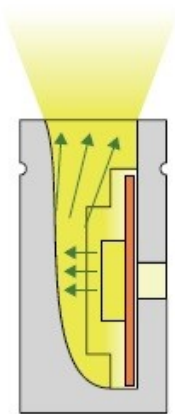


PCB Width(mm) 8

Weight(g/m) 77

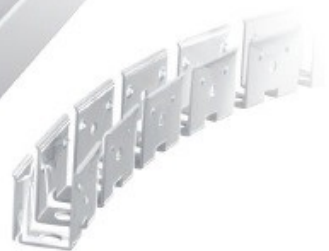
Section size(mm) 6*12

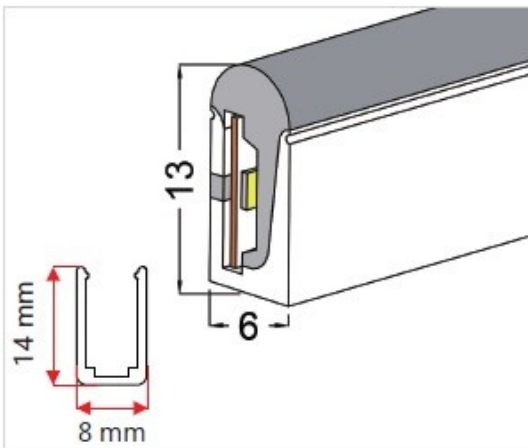
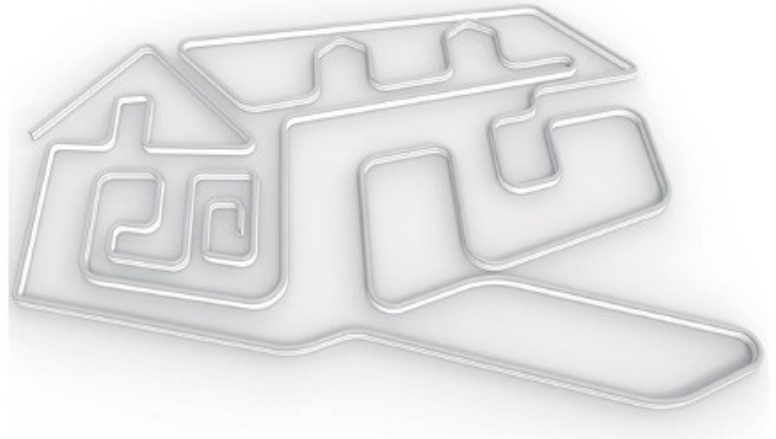
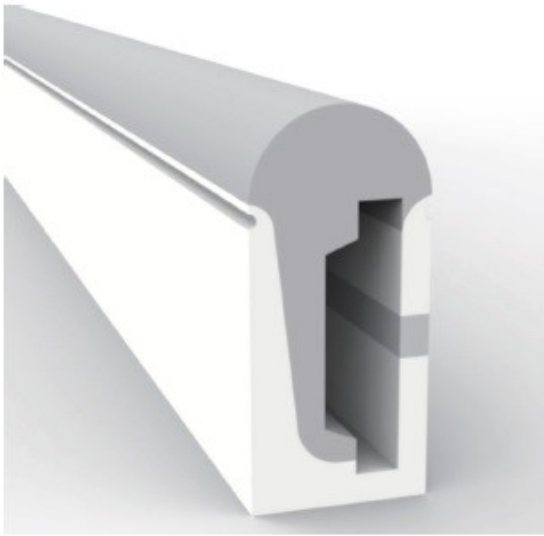
Beam angle 120°



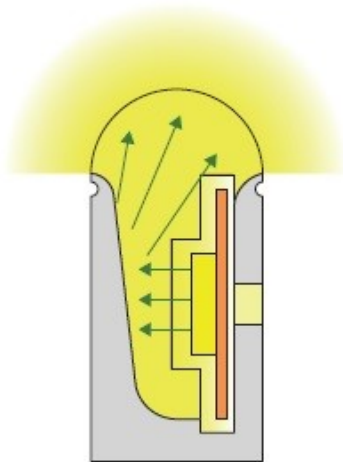
Lighting Direction: Side Lighting

Cutting mark:Yes



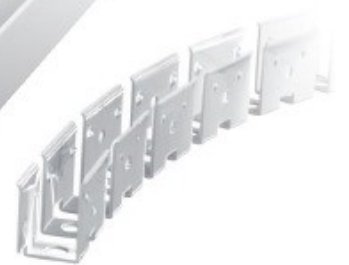


PCB Width(mm)	8
Weight(g/m)	76
Section size(mm)	6*13
Beam angle	180°



Lighting Direction: Side Lighting

Cutting mark: Yes



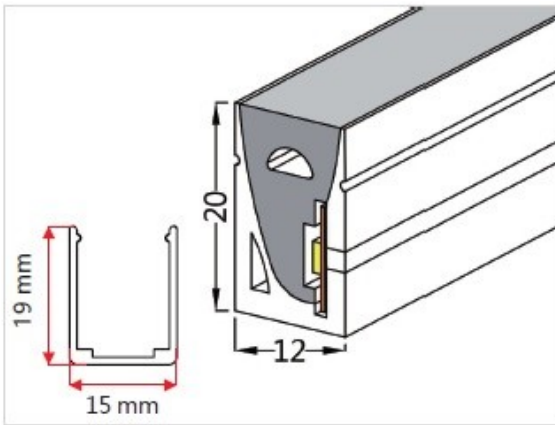
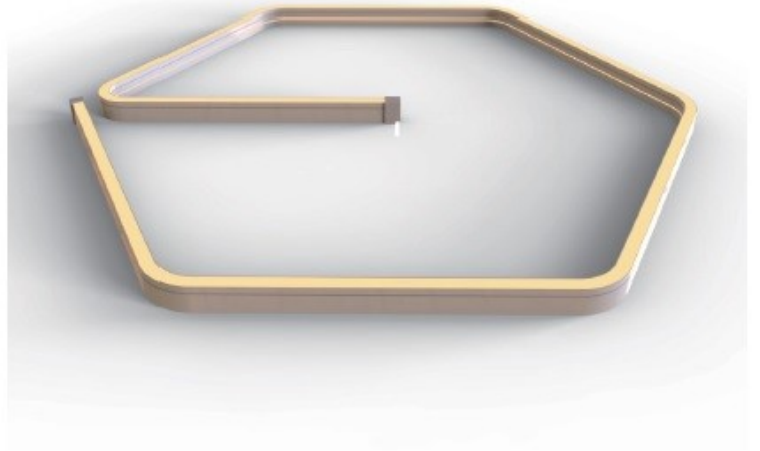
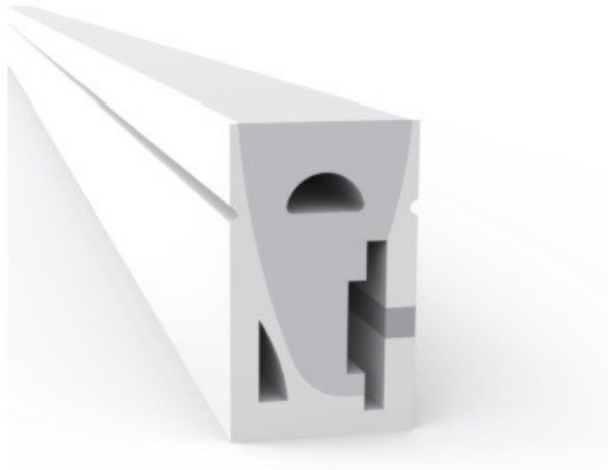
End cap with hole

End cap no hole

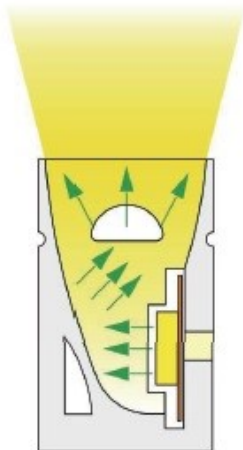
Aluminum Clip

Aluminum Profile

Flexible Profile



PCB Width(mm)	10
Weight(g/m)	246
Section size(mm)	12*20
Beam angle	120°



Lighting Direction: Side Lighting

Cutting mark:Yes



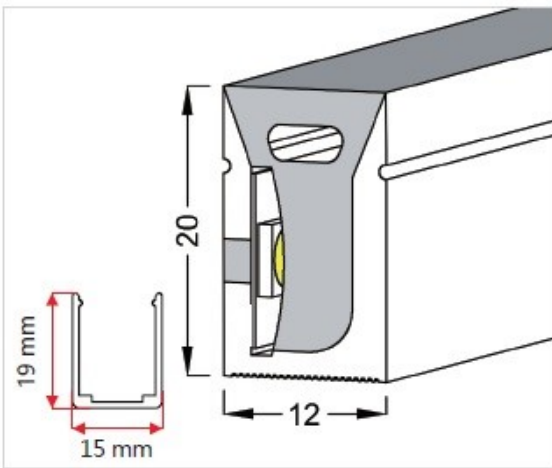
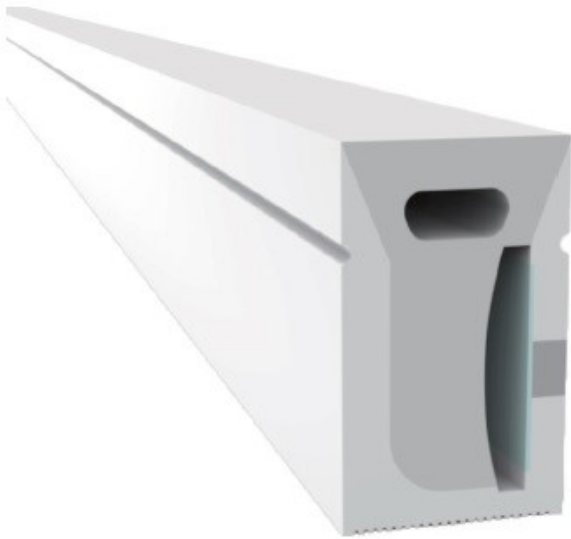
End cap with hole

End cap no hole

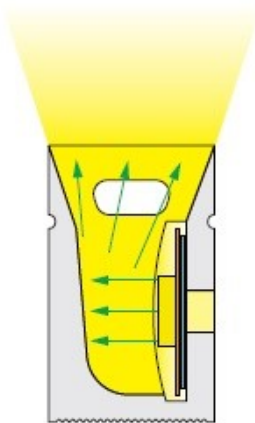
Aluminum Clip

Aluminum Profile

Flexible Profile



PCB Width(mm)	10/12
Weight(g/m)	235
Section size(mm)	12*20
Beam angle	120°



Lighting Direction: Side Lighting

Cutting mark:Yes



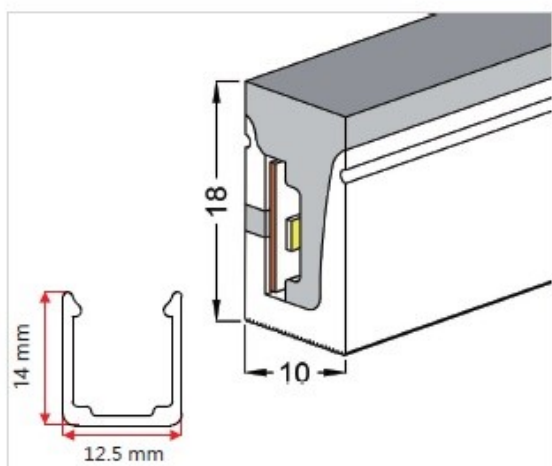
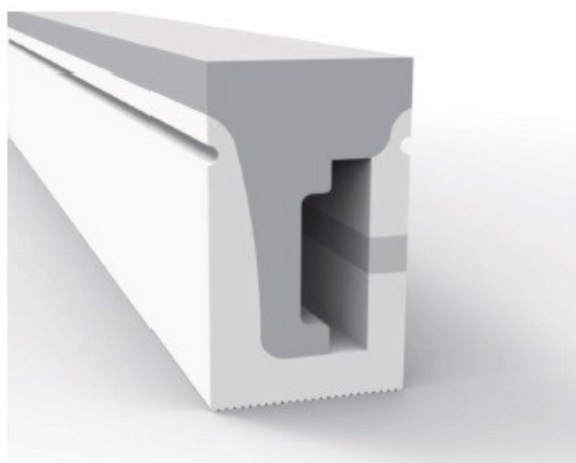
End cap with hole

End cap no hole

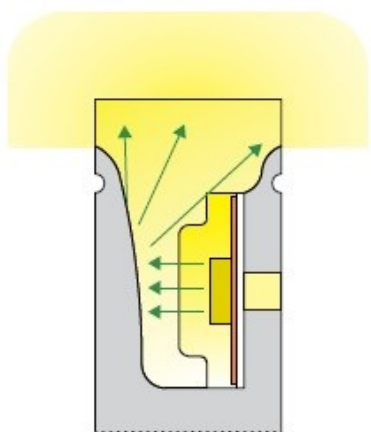
Aluminum Clip

Aluminum Profile

Flexible Profile



PCB Width(mm)	10
Weight(g/m)	182
Section size(mm)	10*18
Beam angle	180°



Lighting Direction: Side Lighting

Cutting mark:Yes



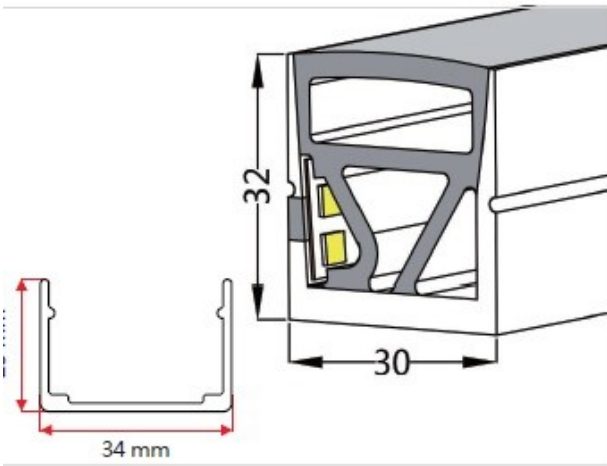
End cap with hole

End cap no hole

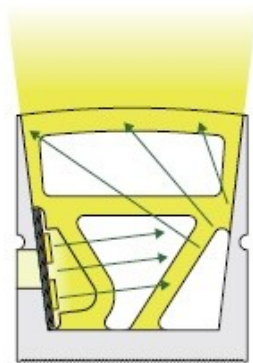
Aluminum Clip

Aluminum Profile

Flexible Profile



PCB Width(mm)	15
Weight(g/m)	607
Section size(mm)	30*32
Beam angle	120°



Lighting Direction: Side Lighting

Cutting mark: Yes

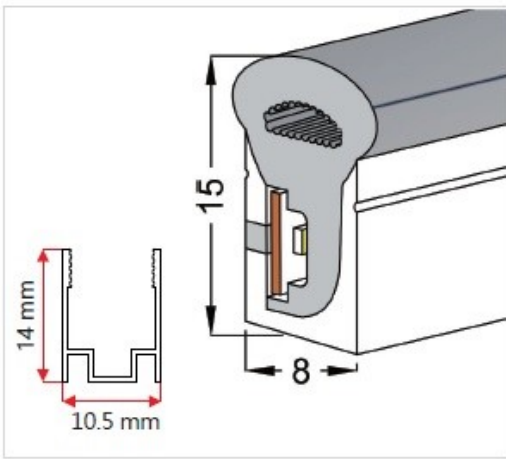
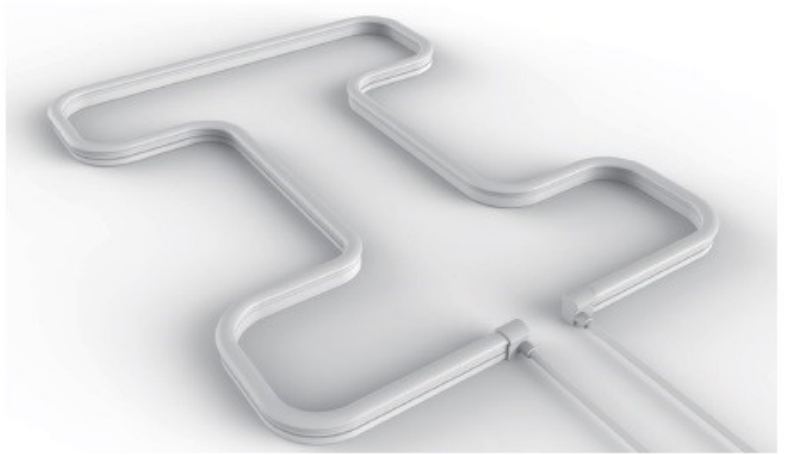
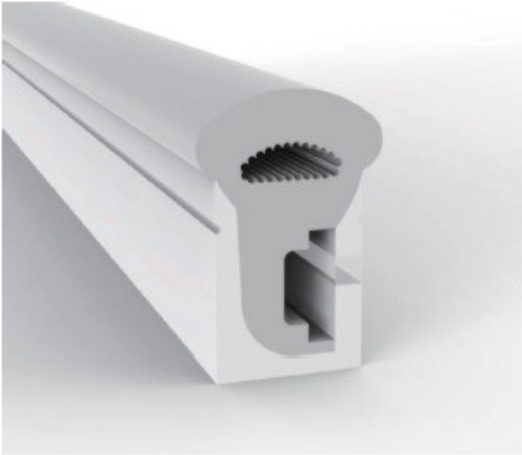


End cap with hole

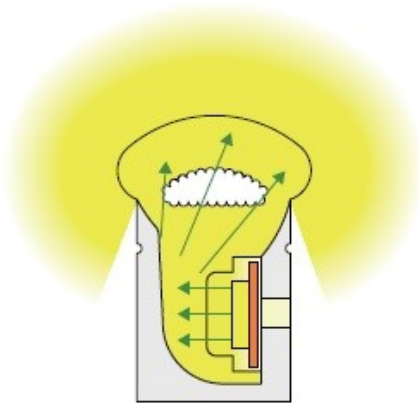
End cap no hole

Aluminum Clip

Aluminum Profile



PCB Width(mm)	5
Weight(g/m)	133
Section size(mm)	8*15
Beam angle	270°



Lighting Direction: Side Lighting

Cutting mark:Yes

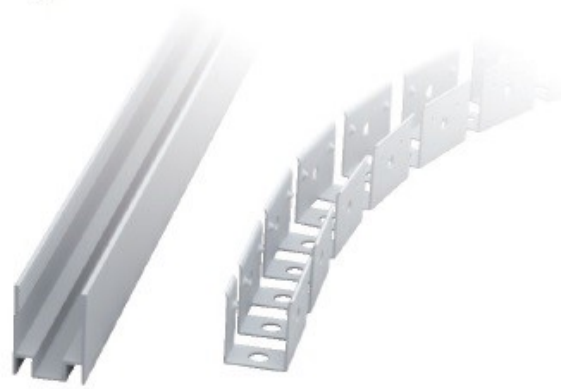


End cap with hole

End cap no hole

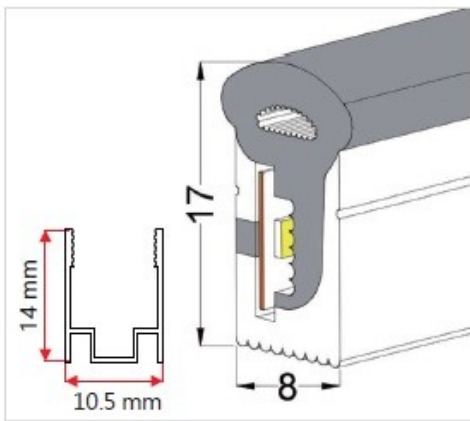
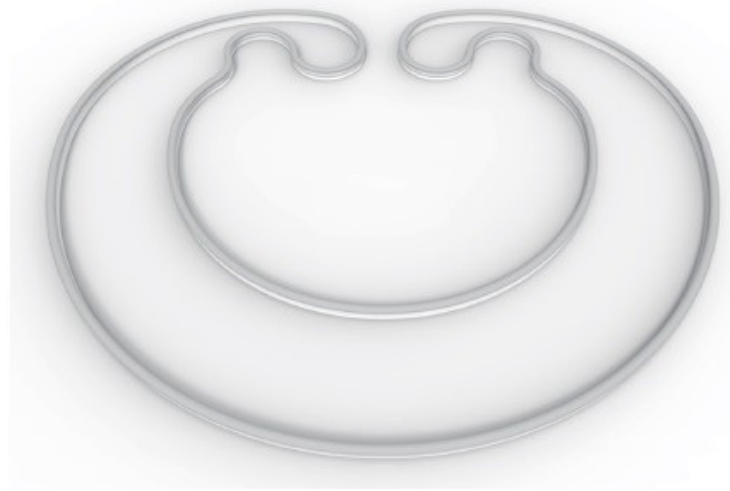
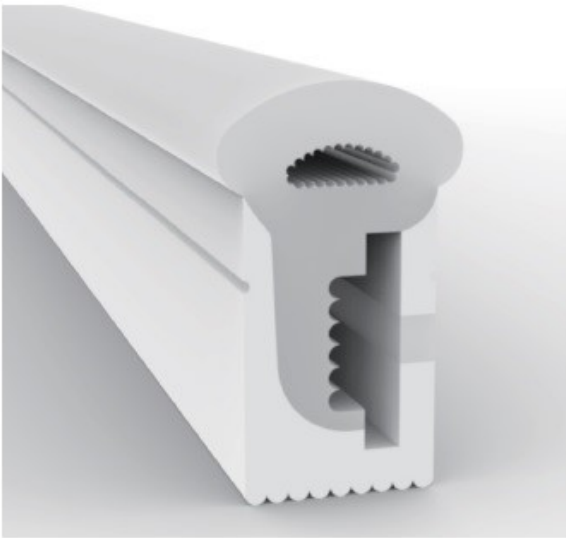


Aluminum Clip

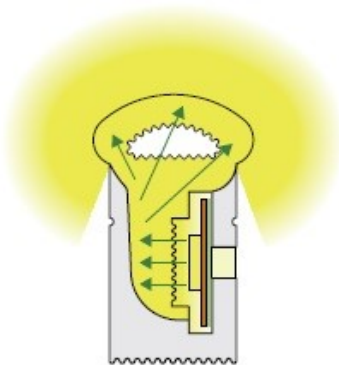


Aluminum Profile

Flexible Profile



PCB Width(mm)	8
Weight(g/m)	149.5
Section size(mm)	8*17
Beam angle	270°



Lighting Direction: Side Lighting

Cutting mark: Yes



End cap with hole

End cap no hole



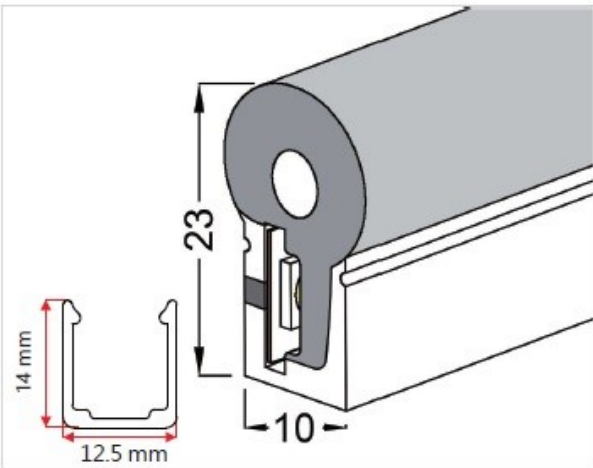
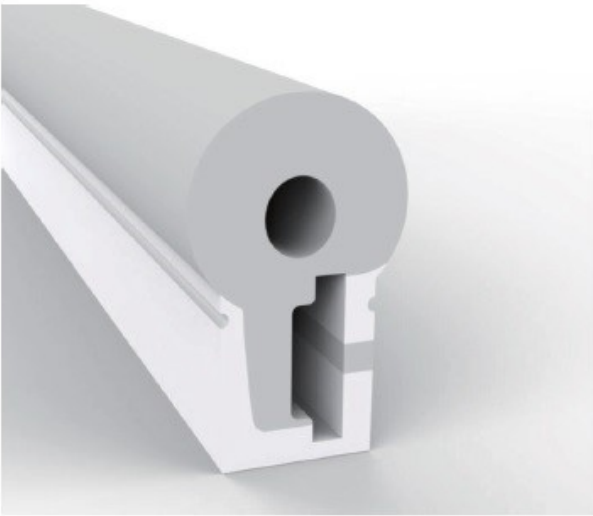
Aluminum Clip



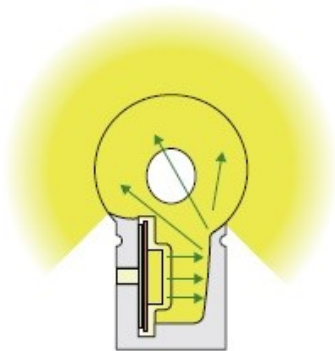
Aluminum Profile



Flexible Profile



PCB Width(mm)	10
Weight(g/m)	249
Section size(mm)	10*23
Beam angle	270°



Lighting Direction: Side Lighting

Cutting mark: Yes



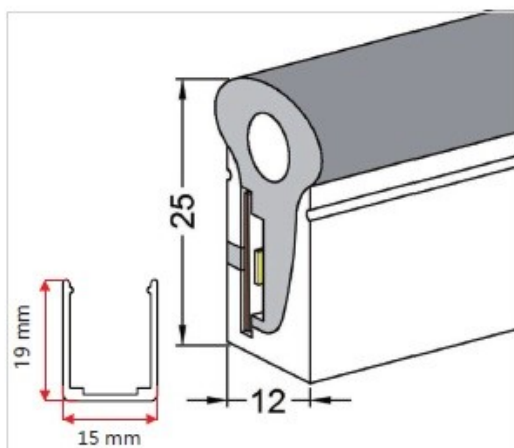
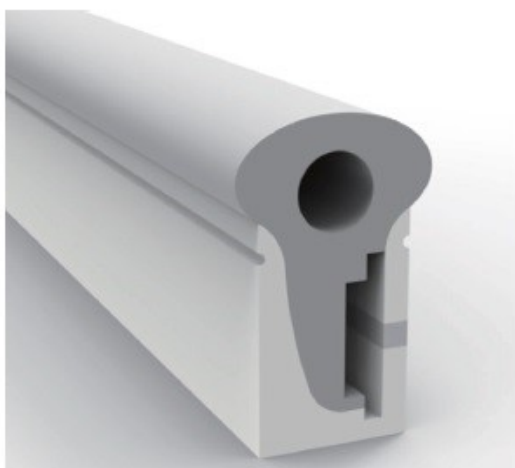
End cap with hole

End cap no hole

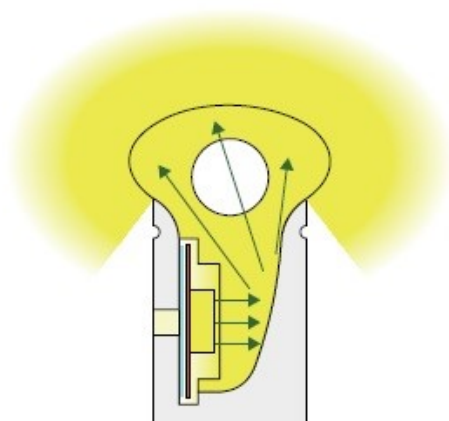
Aluminum Clip

Aluminum Profile

Flexible Profile



PCB Width(mm)	12
Weight(g/m)	315
Section size(mm)	12*25
Beam angle	270°



Lighting Direction: Side Lighting

Cutting mark:Yes



End cap with hole

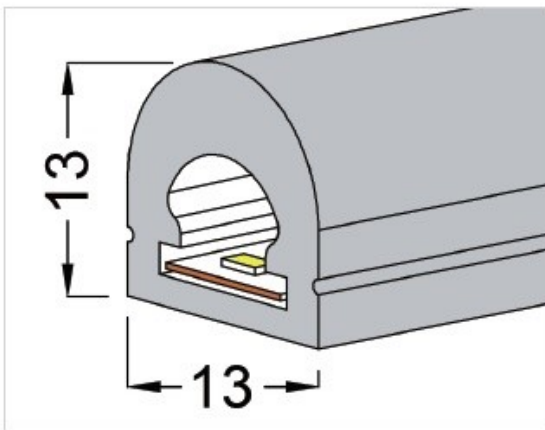
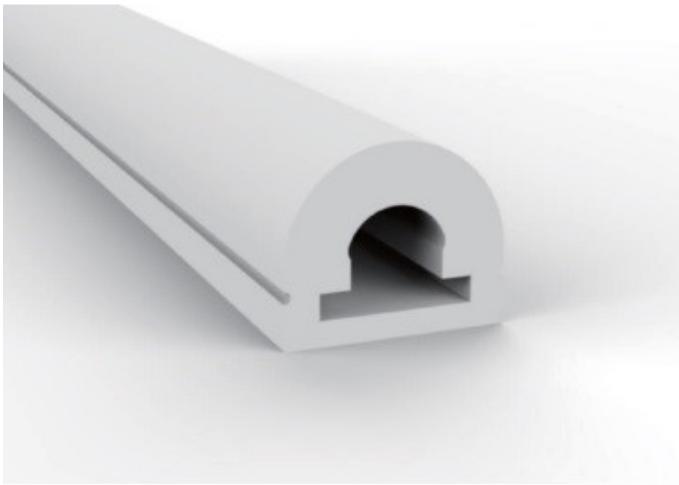
End cap no hole



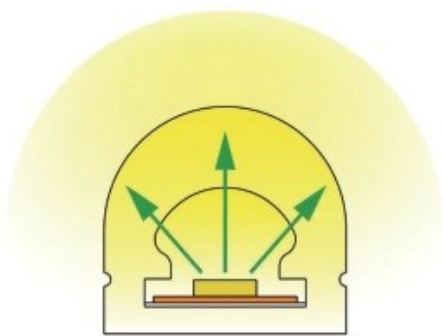
Aluminum Clip

Aluminum Profile

Flexible Profile



PCB Width(mm)	8
Weight(g/m)	144
Section size(mm)	13*13
Beam angle	180°



Lighting Dairction: Top Lighting

Cutting mark:Yes



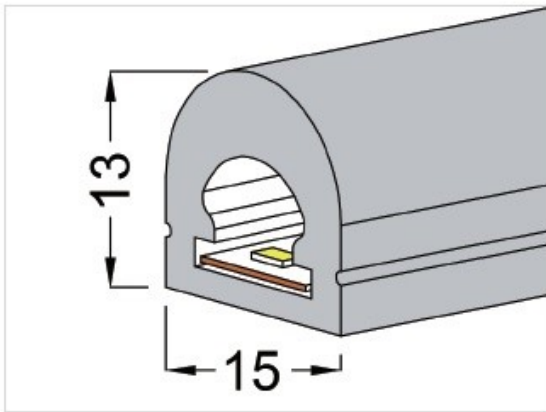
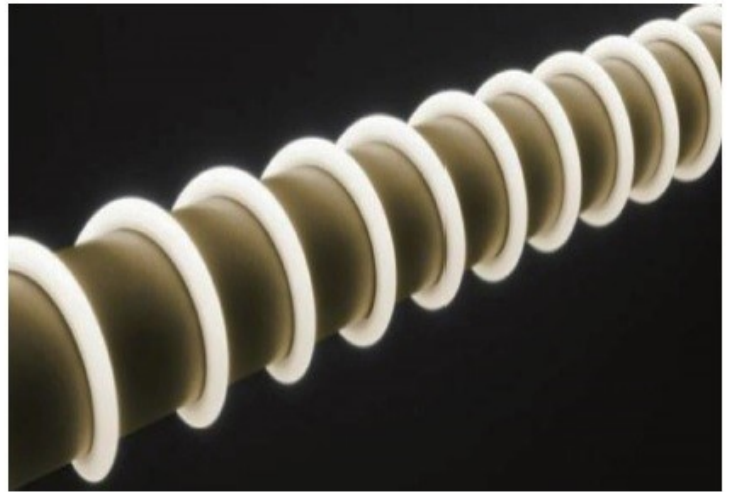
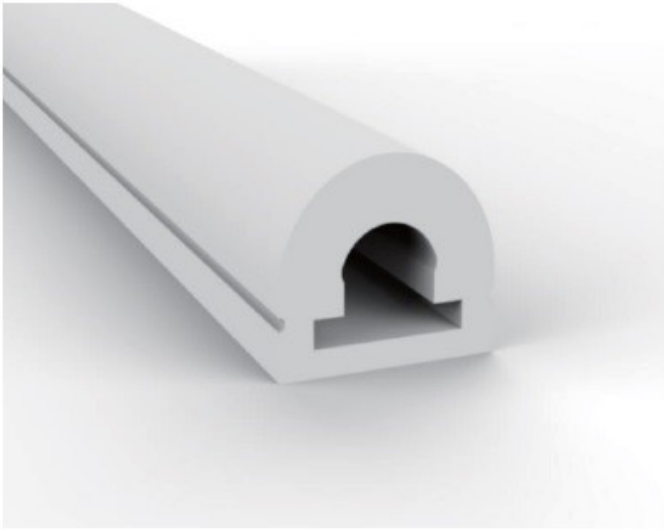
End cap with hole



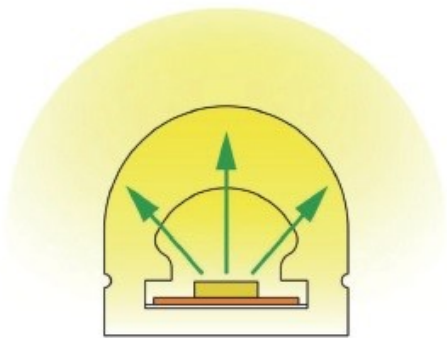
End cap no hole



Plastic clip



PCB Width(mm)	10
Weight(g/m)	149.5
Section size(mm)	13*13
Beam angle	180°



Lighting Dairction: Top Lighting

Cutting mark:Yes



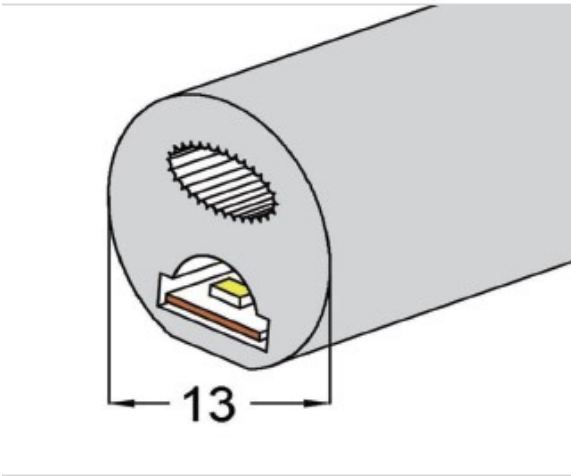
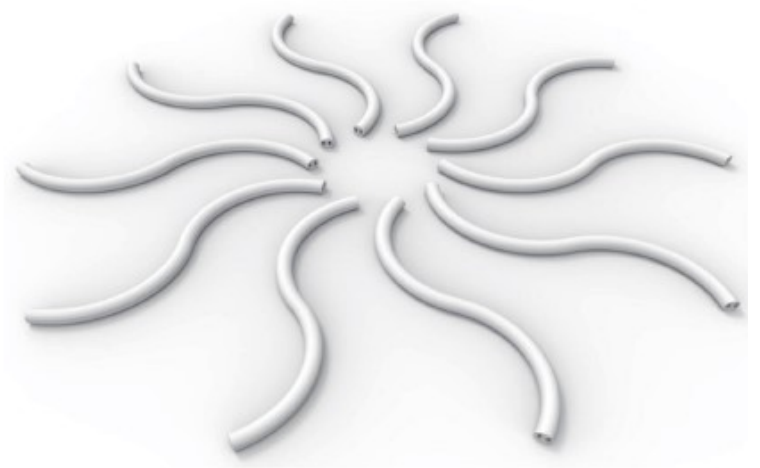
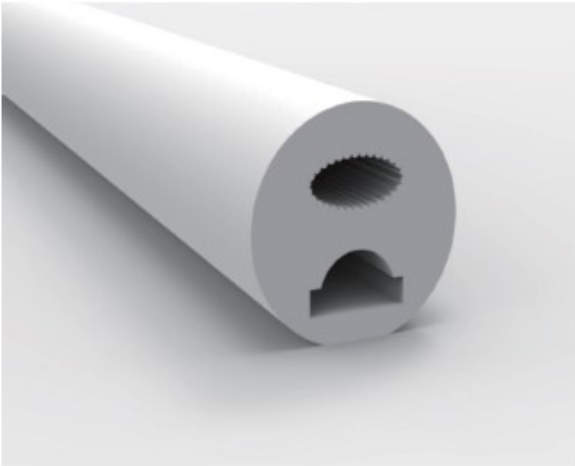
End cap with hole



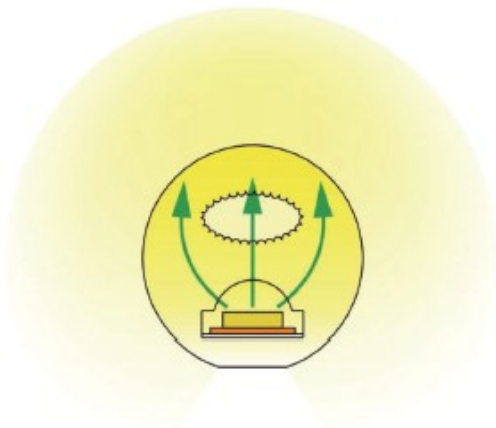
End cap no hole



Plastic clip



PCB Width(mm)	5
Weight(g/m)	142
Section size(mm)	φ13
Beam angle	270°



Lighting Dairrection: Top Lighting

Cutting mark:Yes



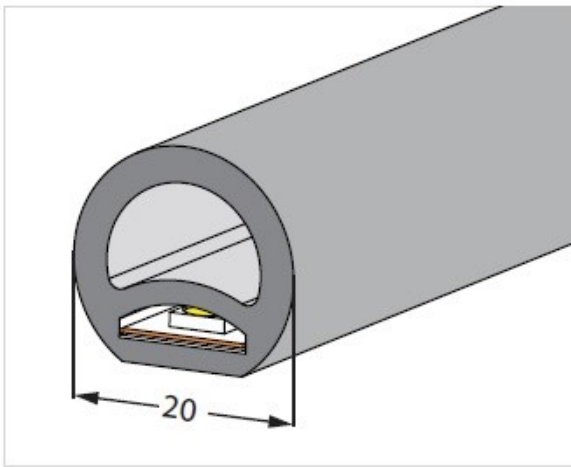
End cap with hole



End cap no hole



Plastic clip



PCB Width(mm)	10
Weight(g/m)	313
Section size(mm)	φ20
Beam angle	270°



Lighting Dairction: Top Lighting

Cutting mark:Yes



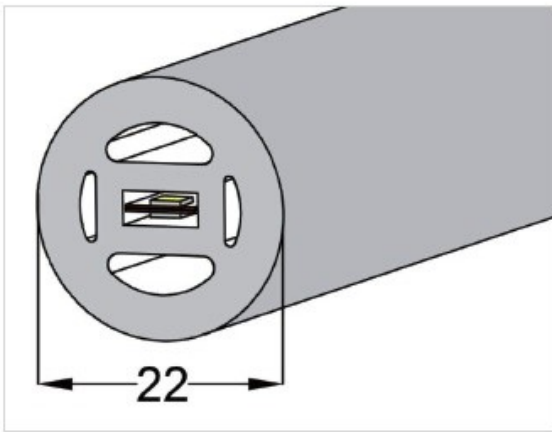
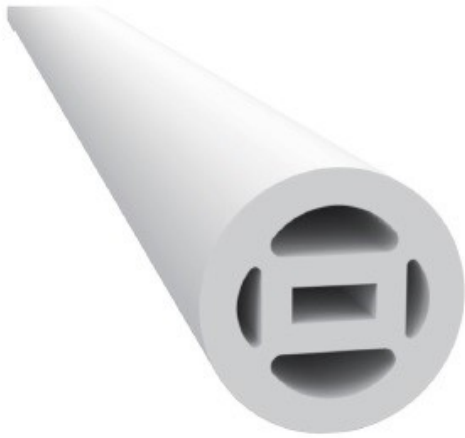
End cap with hole



End cap no hole



Plastic clip



PCB Width(mm)

double-sided 6

Weight(g/m)

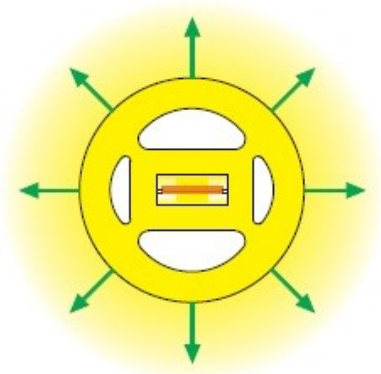
330

Section size(mm)

φ22

Beam angle

360°



Lighting Direction: 360°



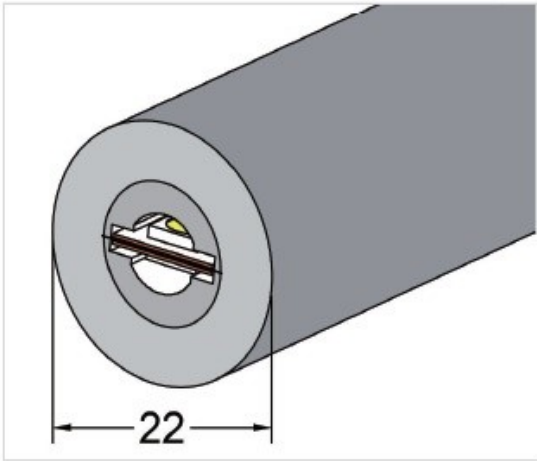
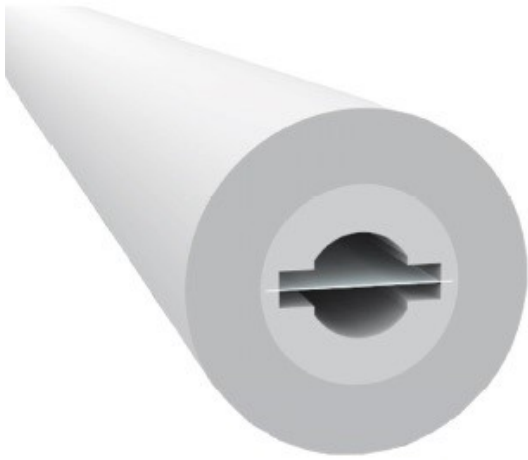
End cap with hole



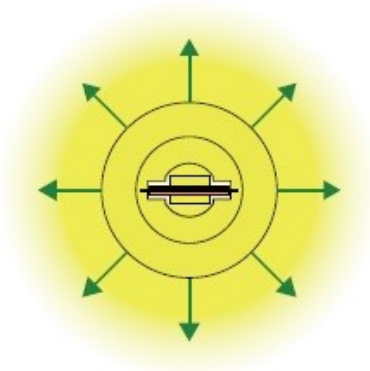
End cap no hole



Plastic clip



PCB Width(mm)	double-sided 8
Weight(g/m)	420
Section size(mm)	φ22
Beam angle	360°



Lighting Direction: 360°



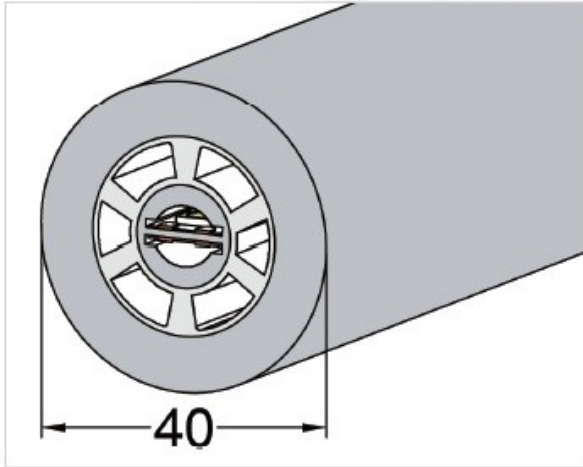
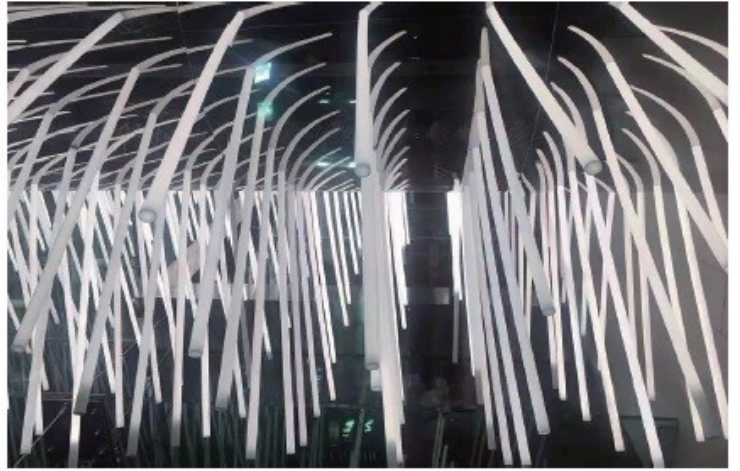
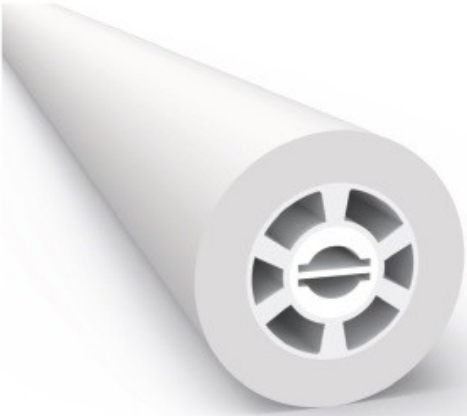
End cap with hole



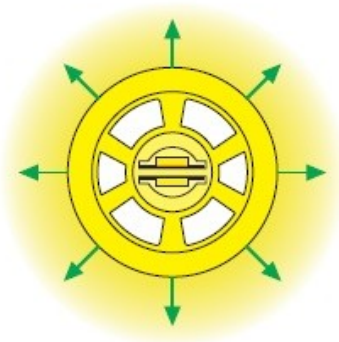
End cap no hole



Plastic clip



PCB Width(mm)	double-sided 10
Weight(g/m)	1260
Section size(mm)	φ40
Beam angle	360°



Lighting Direction: 360°



End cap with hole



End cap no hole

